



广州恒宽机械有限公司

Canton Hostandard Machinery CO., LTD

www.pocket-spring.com

Email: hostandard@hotmail.com

Mob: 0086-133-1411-7277

Skype: northland99

袋装弹簧生产机 Pocket spring coiler HS-PSUP-15P

Photo Details



video weblink: <http://u.youku.com/northland99>

Technical Information:

Performance 生产效率

roll-packing Pocket spring unit without frame.
用于卷无边框袋装弹簧床网

production capacity

生产速度(分钟/卷)

8mins/roll

Consumptive Material Specs 耗材参数

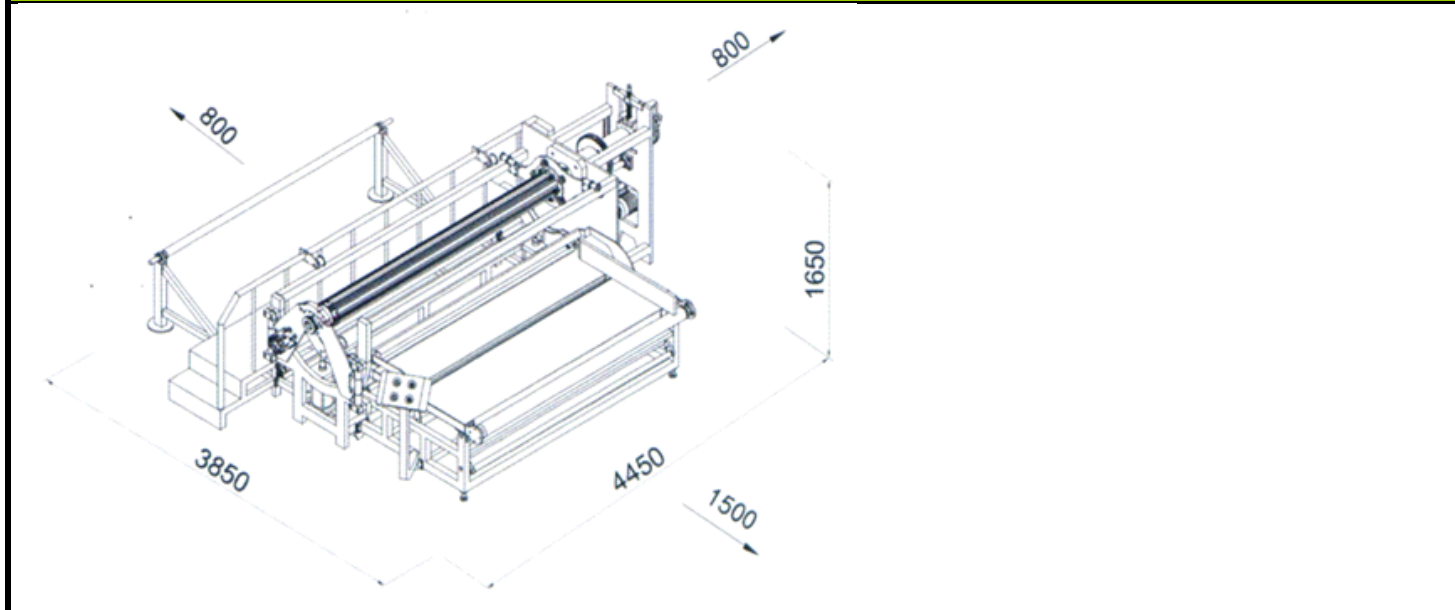
Packing material 包装材料	Type	材质	Non-woven 无纺布
	Thickness	厚度	65g-75g/m ²
	Inner dia.of packing material	胶纸卷内径	Min/最小75mm
	Outside diameter of packing material	胶纸卷外径	Max/最大350mm
	Width of packing material	胶纸卷厚度	Max/最大2200mm

General Data 一般参数

Mattress width	床垫高度	Max/最大2000mm
Mattress length	床垫长度	Max/最大2300mm
Mattress thickness	床垫厚度	Max/最大200mm
Diameter of finished roll	成品卷直径	Max/最大700mm

Air consumption		气源需求量	Approx/约6m³/h 0.8mpa
Air pressure		工作气压	0.6-0.7mpa
Power consumption in total		总功率	4w
Power requirements	Voltage	电压	3AC 380V
	Frequency	频率	50/60Hz
	Input fuse	保险丝	10A
	Cable section	输入电缆	4×6mm²
Working temperature		工作温度	+5℃—+45℃
Weight		重量	2700kg

Footprint 占用空间



AFTER-SALE SERVICE 售后服务	PACKAGING INFO 包装信息
-------------------------	---------------------

installation:	new machine installation free	packing material:	wood or plywood
	expenditures of way and accommodation paid by	package count:	
warranty:	1 year	Packing dimensions:	
	free spare parts offered during warranty	Volume:	
spare parts:	spare parts list offered.	gross weight:	
		net weight:	

ADDITIONAL COMMENTS&REMARK

*Payment terms: T/T 30% deposit in advance, balance 70% 3 days before shipment.
 *Agent policy: in some countries or areas, you can ask our agent for efficient service.